

2019 S3 STEM GUIDE

cervélo

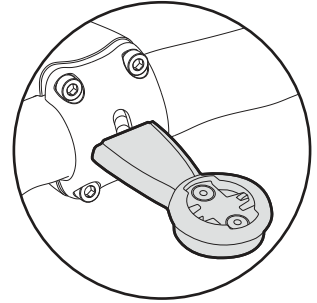
velo

2019 S3 ST029 STEM

cervélo

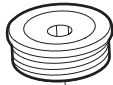
⚠ WARNING

The ST029 stem must be used in conjunction with the HS-A029 Headset and HS-A029 Stem Spacer Kit.



ST029 is compatible with the Bar Fly 4 Direct Max and Bar Fly Direct Mini Garmin stem mounts.

Cervélo ST029 Stem
 80mm ST-A029-80
 90mm ST-A029-90
 100mm ST-A029-100
 110mm ST-A029-110
 120mm ST-A029-120
 130mm ST-A029-130

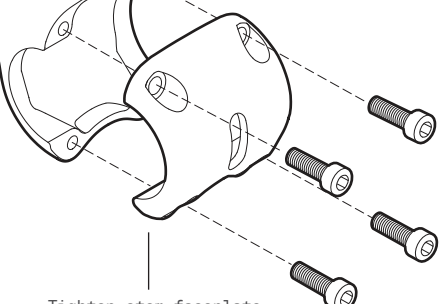


ST029 Stem Top Cap
 STC-A029
 Lightly grease and tighten to 1-2Nm.

Preload Insert



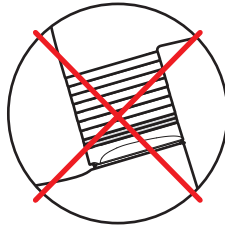
Preload Screw
 M5 x 100mm



Tighten stem faceplate bolts to 6Nm.

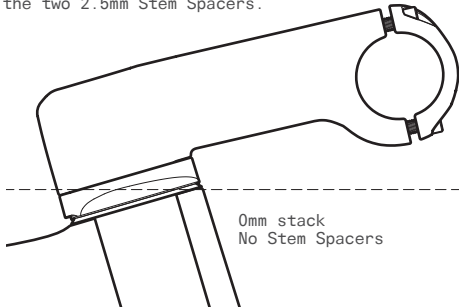


⚠ WARNING
 Do not place 2.5mm spacers directly under the stem as it will interfere with headset adjustment.

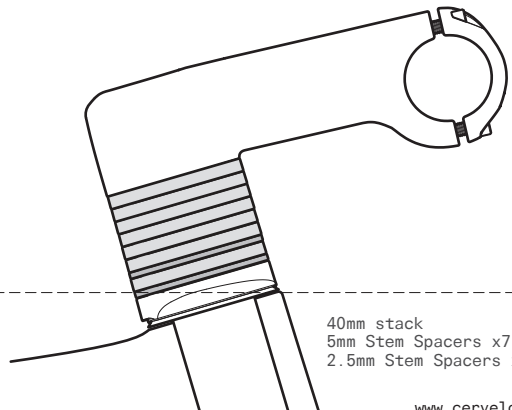


⚠ WARNING
 Do not stack 2.5mm spacers directly on top of each other as it will interfere with headset adjustment.

NOTE: Maximum stem stack adjustment is 40mm. This requires the use of all seven 5mm Stem Spacers plus the two 2.5mm Stem Spacers.



0mm stack
 No Stem Spacers

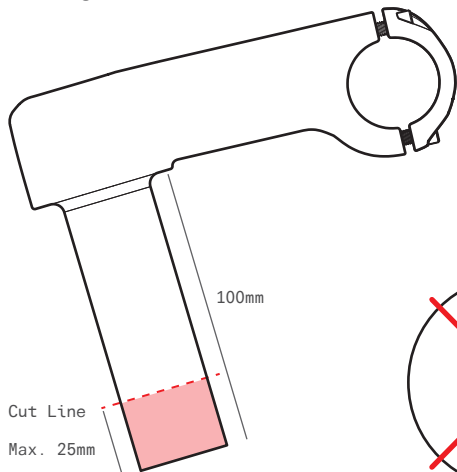


40mm stack
 5mm Stem Spacers x7
 2.5mm Stem Spacers x2

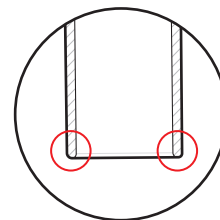
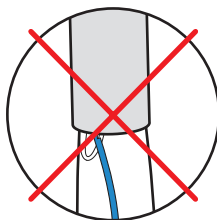
ST029 STEM CUTTING INSTRUCTIONS

cervélo

With **48cm** and **51cm** S3 Disc frames, the stem steerer will need to be cut to place the stem in the lowest stack position. **Stems for size 54cm to 61cm frames do not require cutting.**



1. Use a light coloured grease pencil to accurately mark the cut-off location on the stem steerer from 5mm to 25mm off the bottom edge. See the table below for the exact number based on the combination of frame size and desired spacer stack.
2. Insert the ST029 in the Park Tool SG-6 Saw Guide (or equivalent) so that the cut-off line can be seen clearly through the blade guide in the tool.
3. Using a blade designed specifically for cutting metal; proceed with cutting the stem steerer (as per Park Tool's instructions).
4. Carefully file the cut end removing any burrs, adding a radius to both the inside and outside of the cut edge.



⚠ WARNING
If the stem steerer is cut to achieve a lower position, the minimum insert line on the stem steerer must be moved up by the same amount to ensure proper clamping.

⚠ WARNING
The stem steerer must not bottom out/contact the tapered portion of the fork steerer. Damage to the fork or the brake hose caused by the stem steerer could result in a loss of control while riding and potentially serious injury.

⚠ WARNING
Ensure inside and outside of cut edge is smooth and free of fork damaging burrs. Damage to the fork or the brake hose caused by the stem steerer could result in a loss of control while riding and potentially serious injury.

Stem Cut Calculator

Frame Size*	48cm		51cm	
Spacer Stack (mm)	Removed Length of Stem Steerer	Resulting Max Spacer Stack Possible	Removed Length of Stem Steerer	Resulting Max Spacer Stack Possible
0mm (slammed)	25mm	15mm	5mm	35mm
5mm	20mm	20mm	0mm	40mm
10mm	15mm	25mm	0mm	40mm
15mm	10mm	30mm	0mm	40mm
20mm	5mm	35mm	0mm	40mm
25mm	0mm	40mm	0mm	40mm
30mm	0mm	40mm	0mm	40mm
35mm	0mm	40mm	0mm	40mm
40mm (max allowable)	0mm	40mm	0mm	40mm

*Size 54cm frames & above required no Stem Steerer cutting.